



QUEST
ARCHERY

PRODUCT MANUAL

QUEST™



Congratulations on your purchase of a Quest™ Bow!

At Quest™ Archery, we are committed to building the finest bows utilizing the highest quality standards and leading technology at prices the average bowhunter can afford. With some basic maintenance this new bow can provide many years of dependable service.



Quest™ Archery
PO Box 59 - Memphis, MI 48041
Toll Free: 866.456.8836 Phone: 810.392.8431
Fax: 810.392.2993
www.questbowhunting.com

THRIVE TM SHOWN



**BOW
FEATURES**



WARNING!! **YOU'RE RESPONSIBLE FOR ARCHERY SAFETY**

NEVER “DRY FIRE” YOUR BOW! This means to draw and release the string without an arrow. Firing a bow without an arrow to absorb the energy can cause severe damage to the bow, the shooter, and nearby persons. Let the string down slowly.

CAREFULLY INSPECT YOUR BOW BEFORE EVERY USE!

Inspect your bow before every shooting session, inspecting the limbs, strings, cable(s), limb bolts, etc. If you notice any frayed or cut strings or cable(s) and/or cracks, or splintering limbs immediately cease use of the bow and contact your local pro shop.

ALWAYS BE SURE OF YOUR TARGET! Make sure there are no persons, buildings, vehicles, or livestock behind your target. Make sure to have a proper backstop to properly stop arrows.

ALWAYS INSPECT YOUR ARROW! This means to inspect all your arrows, nocks, and fletching for cracks, bends, or anything that will compromise its safety. Use of cracked or damaged arrows will result in personal injury.

KEEP BOW FROM BEING EXPOSED TO EXCESSIVE HEAT OR DAMPNESS! Exposing the bow to excessive heat, such as keeping the bow in a closed vehicle during sunny days, can cause limb/string and cable(s) failure. Never store a wet bow for prolonged periods.

ALWAYS BE SAFE! Make sure to know all warnings and abide by them. Never aim or shoot at a person. Never shoot straight up. Wear safety glasses while working on the bow. Be careful handling broadheads or anything sharp around the string and cable(s) as cutting or nicking these can cause serious injury to you and others. Children **MUST** be supervised by a responsible adult.

YOUR LOCAL PRO SHOP IS THE BEST SOURCE FOR:

- Adjusting draw length, draw weight
- Replacing and/or servicing string and/or cables
- All aspects of bow tuning
- Proper arrow selection
- Proper selection and use of accessories

DRAW WEIGHT:

Some Quest™ bows factory limbs cover poundages 40 - 70 lbs. For example, to adjust between draw weights of 40 - 70lbs you do not need to replace the limbs. To adjust the draw weight, loosen the limb pocket lock screws first, using a 5/32" Allen wrench. Then use a 3/16" Allen wrench to adjust the limb bolts equally, by turning the limb bolt counterclockwise to decrease weight and clockwise to increase weight. Each full rotation of the limb bolt will alter the draw weight 3-4 pounds. Never back out the limb bolt more than four full rotations from maximum draw weight.

Some Quest bows come with limbs in 10lb. increments. For instance, if you have a 60 pound bow, that bow is capable of a 50-60 pound adjustment.

TILLER:

Setting the tiller is easily done by tightening the limb bolts completely and then backing them off an equal number of turns.

CENTERSHOT:

Using the correct arrow size, we recommend starting with 13/16" from the riser to the center of the arrow shaft. You might need to fine-tune this during tuning.

BROADHEADS:

Most archers discover that they must make slight tuning adjustments when switching from field points to broadheads, both fixed and expandable, and even when using same weights. Broadheads can have different aerodynamics than field points and require slight adjustments in nocking point, centershot, and/or your sight. Always test your broadhead flight before going hunting to make sure your arrow flies, no matter what kind of broadhead design or style.

SETTING UP YOUR BOW

FLUX™ CAMS are mod based, adjust the draw length without removing the cam/axle assembly from the limb. This is done by first relieving string/cable tension fully by means of a bow press. Remove the cables from their respective cable posts. Then un-screw the two mod screws using a 9/64" Allen wrench, and completely remove the draw stop post and screw using a 5/32" Allen wrench. This will allow you to freely remove the mod from the cam. (See Chart below for proper mod identification.) Reverse the order of these operations to re-install the mod to the cam. Make sure to properly tighten the mod screws and draw stop screw.

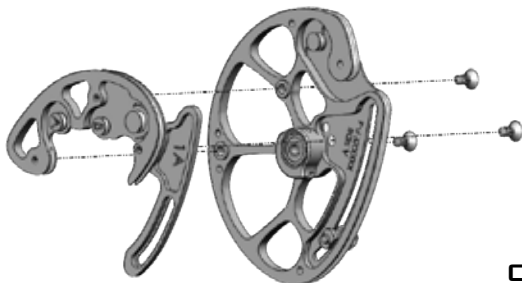
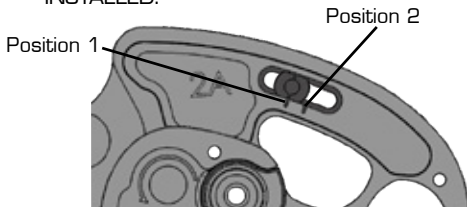
Draw Length Adjustment

Each mod provides multiple draw lengths. To change the draw length per module, the draw stop must be adjusted to the correct draw length position on the module. Place draw stop at 'Position 1' to achieve the shortest draw length (see chart and image below). For longest draw length per mod, place draw stop at 'Position 2'. Note: **Module #1 has three (3) draw stop positions with Position 3 being the longest draw length (31")**.

WARNING!!!

DO NOT DRAW BOWS WITHOUT DRAW STOPS PROPERLY INSTALLED!

FLUX™ CAM			
Mod #	Draw Position		
	1	2	3
1	30"	30.5"	31"
2	29"	29.5"	N/A
3	28"	28.5"	N/A
4	27"	27.5"	N/A
5	26"	26.5"	N/A



CAMS

FLUID™ cams are rotating mod-based cams that only require one module and can be adjusted without a bow press. FLUID SD cams are rotating mod-based cams that require two modules (A and B) for all draw lengths. To achieve optimum draw length and let-off, the module position and draw stop position must correspond to the Fluid or Fluid SD chart (see below). Loosen the two 8/32" button head screws until module can move freely for adjustment. Align the indicator mark on the cam (picture below) to the desired mod position then re-tighten mod screws. Adjust draw stop to the required position based on the Fluid or Fluid SD chart (see below).

WARNING!!!
DO NOT DRAW BOWS WITHOUT DRAW STOP INSTALLED!

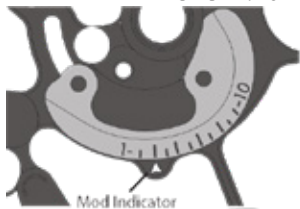
FLUID™ CAM (FORGE)

Mod Position	Draw Stop Position	Draw Length
#1	2.50	30
#2	3.00	29.5
#3	4.00	29
#4	5.00	28.5
#5	5.50	28
#6	6.50	27.5
#7	7.00	27
#8	8.00	26.5
#9	9.00	26
#10	9.50	25.5

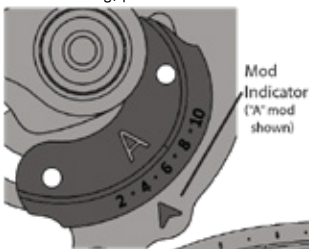
FLUID™ SD CAM (STORM)

Mod Position	Draw Stop Position	Draw Length
#10	7.75	23
#9	6.50	23.5
#8	6.00	24
#7	5.25	24.5
#6	4.50	25
#5	4.00	25.5
#4	3.25	26
#3	2.75	26.5
#2	2.00	27
#1	1.25	27.5

FLUID CAM (Draw lengths are minus nothing, plus 1/4")



Draw Stop in position 2.5.



Draw Stop in position 2.5.

RAD™ CAM-AMP ONLY (Draw lengths are minus nothing, plus 1/4")

Mod Position	Draw Stop Position	Draw Length	ATA Rating
#1	#1	31	up to 344
#2	#2	30.5	up to 342
#3	#3	30	up to 340
#4	#4	29.5	up to 335
#5	#5	29	up to 330
#6	#6	28.5	up to 325
#7	#7	28	up to 320
#8	#8	27.5	up to 315
#9	#9	27	up to 310
#10	#10	26.5	up to 305

Axle to Axle: 32 1/4" (+/- 1/8")
Limb Deflection: #77
Brace Height: 7"
Let-off: 75% per setting above

Timing Adjustment

Make sure both limb stops are in the same position. If both limb stops do not hit at the same time, you must shorten the cable of the cam that hits first by twisting the cable.

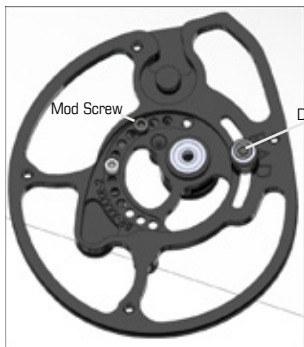
Cable Guard Rod Length: 7.75"
Top Idler Spacers: .175" - cable side/ .140" - string side
Bottom Cam Spacers: .050" on cable side/ .030" on string side
String Stop Assembly: W-000508
Limb Rocker: R-000027(blue)

Serving Locations

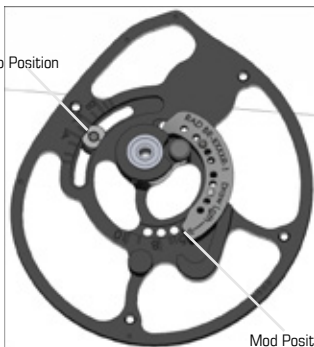
String	15 1/8"	26 5/16"	29 13/16"	33 9/16"	35 5/16"	42 15/16"	
Power Cable	2"	7"	8"	27 1/4"			
Control Cable	2"	27 1/4"					

Overall Length

58 1/16"
34 1/8"
35 15/16"



Draw Stop Position



Mod Position

Presses bow in two places



FIG. 1

Presses bow in two places

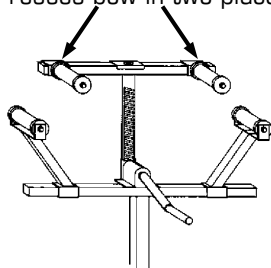
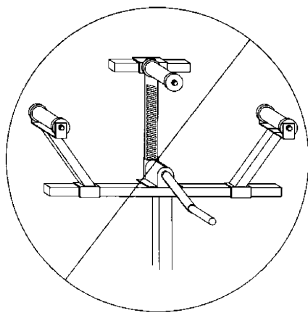


FIG. 2

Always use a double pull style press, like in figures 1 and 2, when working on your bow.



Never use a single pull style press, like shown above, where pressure is placed on the grip only!



WARNING!!

NEVER USE A SINGLE PULL PRESS!

PERIODICALLY CHECK YOUR STRING & CABLES:

Always check your bow for frayed strings and cables. Replace damaged strings and/or cables immediately. Keep your Metrao strings waxed and maintained. If you replace the string and/or cables make sure to use the correct lengths and make sure to securely tie in the SPEED STUDS.

ECCENTRIC BUSHINGS/BEARINGS:

All Quest™ bows have self lubricating/sealed bearing systems and do not need to be lubricated.

ROLLER SLIDE:

Some Quest™ bows are equipped with ROLLER SLIDE technology to utilize a state of the art technical composite material that will never wear out with normal use. Make sure to periodically check for cracks or chips in the composite that could cause premature string/cable wear. Replace ROLLER SLIDE immediately if damaged.

SPEED STUD:

All Quest™ bows equipped with SPEED STUDS in the bowstring must be placed between the colored bow string strands and properly tied before shooting as shown below. **DO NOT FIRE A BOW WITHOUT THESE TIED SECURELY.**

FLEXIS-AR TECHNOLOGY:

Some Quest™ bows are equipped with Flexis-AR cable guard technology that should never wear out with normal use. Periodically, check the condition of the cables above and below the Flexis-AR to see if any premature wearing/fraying has occurred. Replace Flexis-AR immediately if damaged.

STORAGE:

Do not store your Quest™ bow in areas that are subject to excessive heat such as a trunk of an automobile, attic or garage. Excessive heat can severely damage the limbs, strings, cables, and other bow parts and is not covered under the manufacturer's warranty.

After use in damp or wet environments, dry off the bow completely before storing.

Fill in the following personal bow record for your reference.

Bow Serial Number: _____

Bow Model: _____

Purchased From: _____

Purchase Date: _____

Draw Length: _____ Draw Weight: _____

String Length: _____ Cable Length: _____

Important:

Save your sales receipt and serial number of your new bow. The sales receipt and serial number is your proof of date-of-purchase. This proof of date-of-purchase will be required should your bow ever need warranty service.

Please attach your sales receipt here for safe keeping

Register your bow online at:
www.QuestBowhunting.com

LIMITED LIFETIME WARRANTY

Protections in the Quest™ Bowhunting Warranty:

The Quest™ Archery Warranty protects the original owner against defects in the materials and workmanship if purchased from an authorized Quest™ Archery retail location. Components of the bow included in the warranty:

- *Limbs
- *Riser
- *Eccentrics

Exclusions in the Quest™ Archery Warranty:

This warranty is void if:

- *The Quest™ bow is purchased from an unauthorized Quest™ dealer
- *There is damage caused by abuse, mishandling, dry-firing, alteration or modification to the original product.
- *All cables, strings, bearings and rubber parts on the Quest™ bow are not covered under the Quest™ Archery Warranty.
- *This warranty is only valid to the original owner of the bow and is not transferable.

Activating your Quest™ Archery Warranty:

Please mail both the completed warranty card received at purchase along with a copy of the sales receipt, within 30 days of your purchase. Alternatively, you can register your bow online at www.QuestBowhunting.com

Servicing your Quest™ Bow:

If you need repairs or have warranty issues with any Quest™ Archery Bow, we ask that you go through an authorized Quest™ Archery retail store. The store's service technician will be able to coordinate any replacement or warranty parts with Quest™ Archery.

QUEST™

QUEST™ ARCHERY

34775 POTTER ST. MEMPHIS, MI 48041

PHONE: 810.392.8431

TOLL FREE: 866.456.8836

FAX: 810.392.2993

www.questbowhunting.com